

Semi-Split Shaft Collars

Steel / Aluminum / Stainless Steel,
with Adjustable Hand Lever

SPECIFICATION

Version in Steel ST

Sintered
Black oxidized with vapor

Version in Aluminum AL

Turned, tumbled

Version in Stainless Steel NI

Stainless steel AISI 316LHC
Sintered

Adjustable hand levers

Zinc die casting

Powder coated

Black RAL 9005, textured finish

Screw insert and retaining screw

Stainless steel AISI 303



INFORMATION

Semi-split shaft collars GN 706.4 can safely and simply be clamped by reducing the slot height by using an adjustable hand lever and thus they act, for instance, like an end stop.

This version offers great advantages especially for applications that demand new positions of the shaft collar.

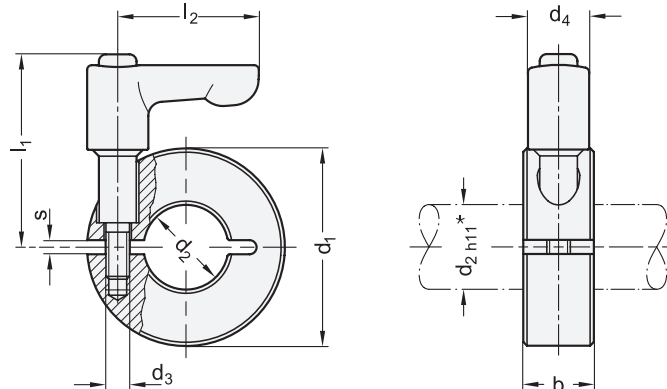
The thread d_3 for sizes $d_1 = 32$ and 36 is designed as a through hole; for sizes $d_1 = 42$ and larger, it is designed as blind hole.

- List of Shaft Collar Types (see page)

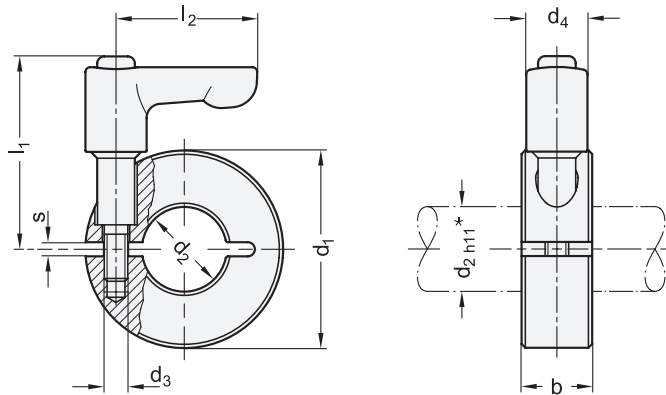
TECHNICAL INFORMATION

- ISO-Fundamental Tolerances (see page A21)

- Stainless Steel Characteristics (see page A26)



* recommended diameter tolerance



* recommended diameter tolerance

GN 706.4-ST

Description	d ₁	d ₂ H10	b ±0.2	d ₃	d ₄	l ₁	l ₂	s	⚖
GN 706.4-32-B14-ST	32	B 14	11	M 4	13	37	30	2.1	70
GN 706.4-36-B15-ST	36	B 15	13	M 5	13	38.5	30	2.1	112
GN 706.4-36-B16-ST	36	B 16	13	M 5	13	38.5	30	2.1	100
GN 706.4-42-B18-ST	42	B 18	15	M 5	13	41	30	3	120
GN 706.4-42-B20-ST	42	B 20	15	M 5	13	41	30	3	118
GN 706.4-48-B22-ST	48	B 22	15	M 5	13	43	45	3	180
GN 706.4-48-B25-ST	48	B 25	15	M 5	13	43	45	3	167
GN 706.4-55-B28-ST	55	B 28	15	M 6	13	45	45	3	200
GN 706.4-55-B30-ST	55	B 30	15	M 6	13	45	45	3	198
GN 706.4-60-B32-ST	60	B 32	15	M 6	13	46.5	45	4	240
GN 706.4-60-B35-ST	60	B 35	15	M 6	13	46.5	45	4	220
GN 706.4-65-B40-ST	65	B 40	15	M 6	13	47.5	45	4	240

GN 706.4-AL

Description	d ₁	d ₂ H10	b ±0.2	d ₃	d ₄	l ₁	l ₂	s	⚖
GN 706.4-32-B14-AL	32	B 14	11	M 4	13	37	30	2.1	100
GN 706.4-36-B15-AL	36	B 15	13	M 5	13	38.5	30	2.1	63
GN 706.4-36-B16-AL	36	B 16	13	M 5	13	38.5	30	2.1	20
GN 706.4-42-B18-AL	42	B 18	15	M 5	13	41	30	3	80
GN 706.4-42-B20-AL	42	B 20	15	M 5	13	41	30	3	60
GN 706.4-48-B22-AL	48	B 22	15	M 5	13	43	45	3	98
GN 706.4-48-B25-AL	48	B 25	15	M 5	13	43	45	3	96
GN 706.4-55-B28-AL	55	B 28	15	M 6	13	45	45	3	116
GN 706.4-55-B30-AL	55	B 30	15	M 6	13	45	45	3	100
GN 706.4-60-B32-AL	60	B 32	15	M 6	13	46.5	45	4	127
GN 706.4-60-B35-AL	60	B 35	15	M 6	13	46.5	45	4	120
GN 706.4-65-B40-AL	65	B 40	15	M 6	13	47.5	45	4	130

GN 706.4-NI

STAINLESS STEEL

Description	d ₁	d ₂ H10	b ±0.2	d ₃	d ₄	l ₁	l ₂	s	⚖
GN 706.4-32-B14-NI	32	B 14	11	M 4	13	37	30	2.1	90
GN 706.4-36-B15-NI	36	B 15	13	M 5	13	38.5	30	2.1	73
GN 706.4-36-B16-NI	36	B 16	13	M 5	13	38.5	30	2.1	71
GN 706.4-42-B18-NI	42	B 18	15	M 5	13	41	30	3	120
GN 706.4-42-B20-NI	42	B 20	15	M 5	13	41	30	3	105
GN 706.4-48-B22-NI	48	B 22	15	M 5	13	43	45	3	142
GN 706.4-48-B25-NI	48	B 25	15	M 5	13	43	45	3	141
GN 706.4-55-B28-NI	55	B 28	15	M 6	13	45	45	3	174
GN 706.4-55-B30-NI	55	B 30	15	M 6	13	45	45	3	160
GN 706.4-60-B32-NI	60	B 32	15	M 6	13	46.5	45	4	200
GN 706.4-60-B35-NI	60	B 35	15	M 6	13	46.5	45	4	180
GN 706.4-65-B40-NI	65	B 40	15	M 6	13	47.5	45	4	183

